

AVR-150

Rugged SWaP PC System



Features

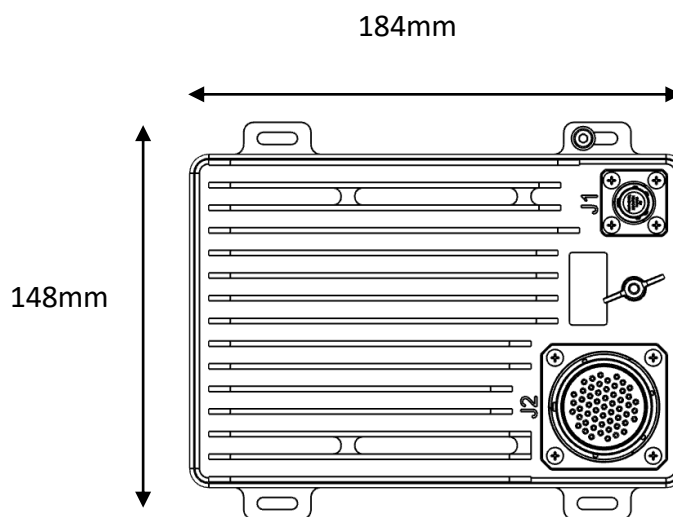
- 11th Gen Intel® Core i7 TigerLake Processor
- Dual GbE, Dual USB2.0. HDMI Video output
- 12-36VDC Input with EMI Pre filter
- MIL-STD-810, MIL-STD-461, MIL-STD-1275 Compliant

Small size weight and power rugged PC system includes 11th Gen i7 TigerLake CPU with Integrated Graphics controller and rich variety of I/O options. Onboard memory with extended temperature support all in a ruggedized small form factor embedded system.

Specification

Processor	CPU	Intel TigerLake 15W UP3 i7-1185GRE	
	Memory	Onboard 16GB LPDDR4x-4267 memory with ECC	
	Storage	Integrated M.2 256GB/512GB (see ordering options below)	
Graphics	GPU	Integrated Intel Iris Xe Graphics	
38999 Connector	Ethernet	2x ETH 1000 Mbps	
	USB 2.0	2x USB2.0	
	GPIO	4-bit general purpose I/O LVTTTL	
	Video	1x HDMI	
Power Supply	12-36VDC (with integrated Power Supply & Filters)		
Environment	Temperature	Operating -40 ~ 55° C	Non-operating -40 ~ 85° C
	IP Rating	IP67	
	Environmental	MIL-STD-810	
	EMI/EMC	MIL-STD-461	
Physical Characteristics	Dimensions (W x H x D)	148 x 50 x 184 mm	
	Weight	<1.5Kg	

Dimensions



Ordering Options

AVR-150-C1	SWaP Rugged i7 11 th Gen CPU, 16GB DDR, 256GB storage
AVR-150-C2	SWaP Rugged i7 11 th Gen CPU, 16GB DDR, 512GB storage